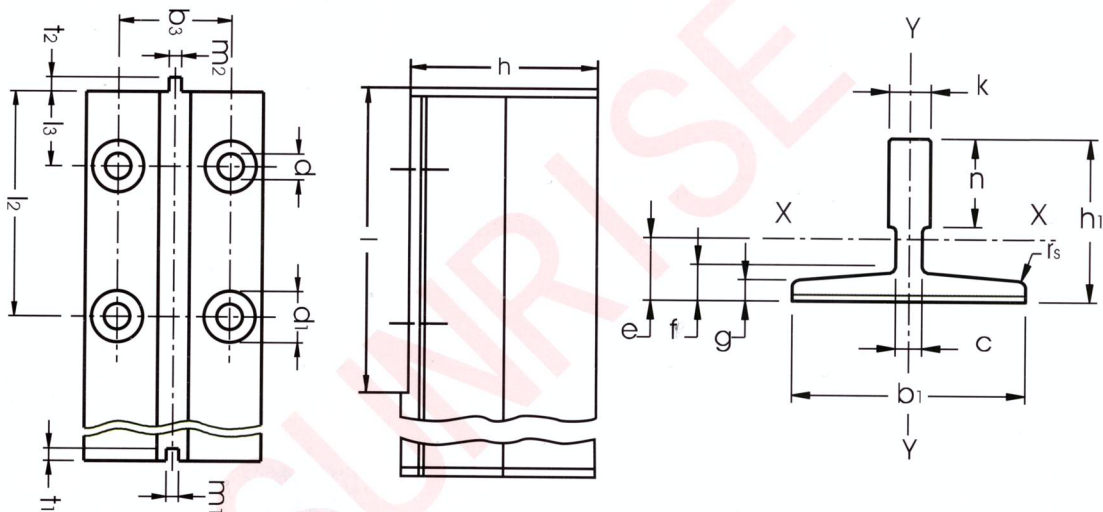


Dimensions and Tolerances of Guide Rails/ 导轨的尺寸和公差

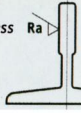
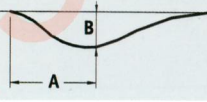
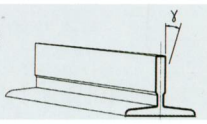
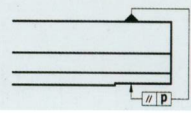
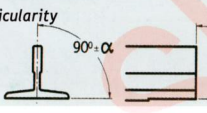
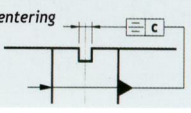
Profile	Item	h1 [mm]	h [mm]	k [mm]	n [mm]	m1 [mm]	m2 [mm]	t1 [mm]	t2 [mm]	l [mm]	d [mm]	d1 [mm]	b3 [mm]	l2 [mm]	l3 [mm]
T70-1/B	Tolerance	±0.75	±0.05	+0.05 0	+3 0	+0.03 0	0 -0.03	±0.1	±0.1	+3 0			±0.2	±0.2	±0.2
	Dimension	65	64	9	34	3	2.95	3.5	3	128	13	26	42	105	25
T75-3/B	Tolerance	±0.75	±0.05	+0.05 0	+3 0	+0.03 0	0 -0.03	±0.1	±0.1	+3 0			±0.2	±0.2	±0.2
	Dimension	62	61	10	30	3	2.95	3.5	3	123	13	26	43	90	30
T78/B	Tolerance	±0.75	±0.05	+0.05 0	+3 0	+0.03 0	0 -0.03	±0.1	±0.1	+3 0			±0.2	±0.2	±0.2
	Dimension	56	55	10	26	3	2.97	3.5	3	160	14	28	50	114	38
T82/B	Tolerance	±0.75	±0.05	+0.05 0	+3 0	+0.03 0	0 -0.03	±0.1	±0.1	+3 0			±0.2	±0.2	±0.2
	Dimension	68.25	66.6	9	25.4	3	2.95	3.5	3	111	13	26	50.8	81	27
T89/B	Tolerance	±0.75	±0.05	+0.05 0	+3 0	+0.03 0	0 -0.03	±0.1	±0.1	+3 0			±0.2	±0.2	±0.2
	Dimension	62	61	15.88	33.4	6.4	6.37	7.14	6.35	156	13	26	57.2	114.3	38.1
T90/B	Tolerance	±0.75	±0.05	+0.05 0	+3 0	+0.03 0	0 -0.03	±0.1	±0.1	+3 0			±0.2	±0.2	±0.2
	Dimension	75	74	16	42	6.4	6.37	7.14	6.35	156	13	26	57.2	114.3	38.1
T114/B	Tolerance	±0.75	±0.1	+0.05 0	+3 0	+0.06 0	0 -0.06	±0.1	±0.1	+3 0			±0.2	±0.2	±0.2
	Dimension	89	88	16	38	6.4	6.37	7.14	6.35	156	17	33	70	114.3	38.1
T125/B	Tolerance	±0.75	±0.05	+0.05 0	+3 0	+0.03 0	0 -0.03	±0.1	±0.1	+3 0			±0.2	±0.2	±0.2
	Dimension	82	81	16	42	6.4	6.37	7.14	6.35	156	17	33	79.4	114.3	38.1
T127-1/B	Tolerance	±0.75	±0.05	+0.05 0	+3 0	+0.03 0	0 -0.03	±0.1	±0.1	+3 0			±0.2	±0.2	±0.2
	Dimension	89	88	15.88	44.5	6.4	6.37	7.14	6.35	156	17	33	79.4	114.3	38.1
T127-2/B	Tolerance	±0.75	±0.05	+0.05 0	+3 0	+0.03 0	0 -0.03	±0.1	±0.1	+3 0			±0.2	±0.2	±0.2
	Dimension	89	88	15.88	50.8	6.4	6.37	7.14	6.35	156	17	33	79.4	114.3	38.1
T140-1/B	Tolerance	±0.75	±0.05	+0.05 0	+3 0	+0.03 0	0 -0.03	±0.1	±0.1	+3 0			±0.2	±0.2	±0.2
	Dimension	108	107	19	50.8	6.4	6.37	7.14	6.35	193	21	40	92.1	152.4	31.8
T140-2/B	Tolerance	±0.75	±0.05	+0.05 0	+3 0	+0.03 0	0 -0.03	±0.1	±0.1	+3 0			±0.2	±0.2	±0.2
	Dimension	102	101	28.6	50.8	6.4	6.37	7.14	6.35	193	21	40	92.1	152.4	31.8
T140-3/B	Tolerance	±0.75	±0.05	+0.05 0	+3 0	+0.03 0	0 -0.03	±0.1	±0.1	+3 0			±0.2	±0.2	±0.2
	Dimension	127	126	31.75	57.2	6.4	6.37	7.14	6.35	193	21	40	92.1	152.4	31.8



Technical Characteristics for Machined Guide Rails/ 机加工导轨技术参数

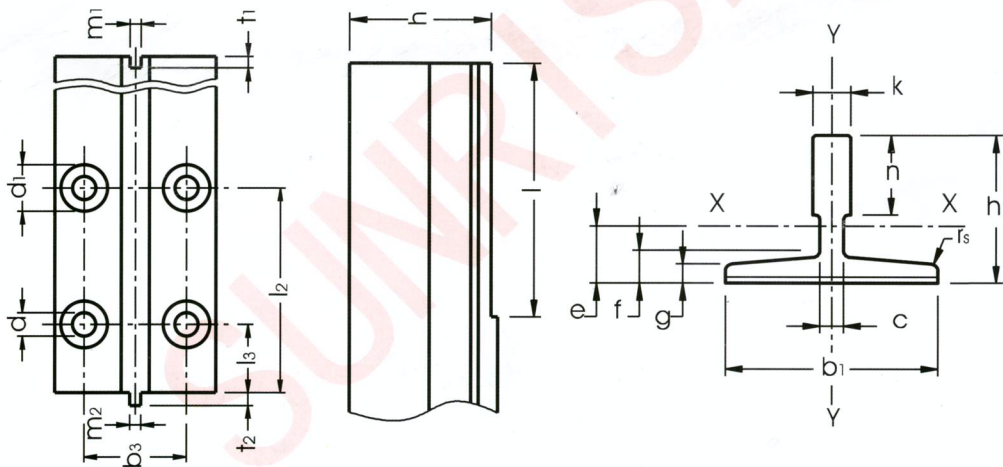
Designation	S	q_1	e	I_{xx}	W_{xx}	i_{xx}	I_{yy}	W_{yy}	i_{yy}
	cm ²	kg/m	cm	cm ⁴	cm ³	cm	cm ⁴	cm ³	cm
T70-1/B	9.51	7.47	2.04	41.3	9.24	2.09	18.65	5.35	1.4
T75-3/B	10.99	8.63	1.86	40.35	9.29	1.92	26.49	7.06	1.55
T78/B	9.84	7.72	1.65	29.9	7.56	1.47	26.1	6.71	1.63
T82/B	10.90	8.55	1.98	49.60	10.30	2.13	30.7	7.4	1.67
T89/B	15.7	12.3	2.02	59.52	14.25	1.95	52.4	11.8	1.83
T90/B	17.3	13.55	2.61	102	20.87	2.43	53	11.8	1.75
T114/B	20.8	16.31	2.87	179	29.7	2.93	108	19.1	2.28
T125/B	22.83	17.9	2.43	151.0	26.2	2.57	159	25.4	2.64
T127-1/B	22.64	17.77	2.75	186.2	30.4	2.87	148	23.4	2.56
T127-2/B	28.63	22.48	2.47	198.4	30.9	2.63	230	36.2	2.83
T140-1/B	35.5	27.9	3.23	404	53.4	3.37	310	44.3	2.95
T140-2/B	43.44	34.1	3.47	457	68	3.24	358	51.2	2.87
T140-3/B	58.57	46	4.38	953	114.6	4.03	486	69.4	2.88

Other Key Control Parameters/其它关键控制参数

<p>导向面光洁度 Blade roughness</p>  <p>纵向 longitudinal transversal 横向</p> <p>$R_s \leq 1,6\mu$ $1,6 \leq R_s \leq 3,2\mu$</p>	<p>直线度 Straightness</p>  <p>$B/A = 0,0004$ $B_{max} (5 m) = 1 mm$ $B_{min} = 0,2 mm$</p>
<p>扭曲度 Twisting</p>  <p>$\gamma = 15' / m$</p>	<p>平行度 Parallelism</p>  <p>$p = 0,05 mm$</p>
<p>垂直度 Perpendicularity</p>  <p>$90^\circ - \alpha$ $90^\circ - \beta$ $\alpha = 5'$ $\beta = 12'$</p>	<p>对称度 Tongue and groove centering</p>  <p>$c = 0,05 mm$</p>

Dimensions and Tolerances of Guide Rails/ 导轨的尺寸和公差

Profile	Item	h1 [mm]	h [mm]	k [mm]	n [mm]	m1 [mm]	m2 [mm]	t1 [mm]	t2 [mm]	l [mm]	d [mm]	d1 [mm]	b3 [mm]	l2 [mm]	l3 [mm]
T70-1/B	Tolerance	±0.1	±0.1	+0.1 0	+3 0	+0.06 0	0 -0.06	±0.1	±0.1	+3 0			±0.2	±0.2	±0.2
	Dimension	65	64	9	34	3	2.95	3.5	3	128	13	26	42	105	25
T75-3/B	Tolerance	±0.75	±0.1	+0.1 0	+3 0	+0.06 0	0 -0.06	±0.1	±0.1	+3 0			±0.2	±0.2	±0.2
	Dimension	62	61	10	30	3	2.95	3.5	3	123	13	26	43	90	30
T78/B	Tolerance	±0.75	±0.1	+0.1 0	+3 0	+0.06 0	0 -0.06	±0.1	±0.1	+3 0			±0.2	±0.2	±0.2
	Dimension	56	55	10	26	3	2.97	3.5	3	160	14	28	50	114	38
T82/B	Tolerance	±0.75	±0.1	+0.1 0	+3 0	+0.06 0	+0.06 0	±0.1	±0.1	+3 0			±0.2	±0.2	±0.2
	Dimension	68.25	66.6	9	25.4	3	2.97	3.5	3	111	13	26	50.8	81	27
T89/B	Tolerance	±0.75	±0.1	+0.1 0	+3 0	+0.06 0	0 -0.06	±0.1	±0.1	+3 0			±0.2	±0.2	±0.2
	Dimension	62	61	15.88	33.4	6.4	6.37	7.14	6.35	156	13	26	57.2	114.3	38.1
T90/B	Tolerance	±0.75	±0.1	+0.1 0	+3 0	+0.06 0	0 -0.06	±0.1	±0.1	+3 0			±0.2	±0.2	±0.2
	Dimension	75	74	16	42	6.4	6.37	7.14	6.35	156	13	26	57.2	114.3	38.1
T114/B	Tolerance	±0.75	±0.1	±0.05	+3 0	+0.06 0	0 -0.06	±0.1	±0.1	+3 0			±0.2	±0.2	±0.2
	Dimension	89	88	16	38	6.4	6.37	7.14	6.35	156	17	33	70	114	38.1
T125/B	Tolerance	±0.75	±0.1	±0.05	+3 0	+0.06 0	0 -0.06	±0.1	±0.1	+3 0			±0.2	±0.2	±0.2
	Dimension	82	81	16	42	6.4	6.37	7.14	6.35	156	17	33	79.4	114.3	38.1
T127-1/B	Tolerance	±0.75	±0.1	+0.1 0	+3 0	+0.06 0	0 -0.06	±0.1	±0.1	+3 0			±0.2	±0.2	±0.2
	Dimension	89	88	15.88	44.5	6.4	6.37	7.14	6.35	156	17	33	79.4	114.3	38.1
T127-2/B	Tolerance	±0.75	±0.1	+0.1 0	+3 0	+0.06 0	0 -0.06	±0.1	±0.1	+3 0			±0.2	±0.2	±0.2
	Dimension	89	88	15.88	50.8	6.4	6.37	7.14	6.35	156	17	33	79.4	114.3	38.1
T140-1/B	Tolerance	±0.75	±0.1	+0.1 0	+3 0	+0.06 0	0 -0.06	±0.1	±0.1	+3 0			±0.2	±0.2	±0.2
	Dimension	108	107	19	50.8	6.4	6.37	7.14	6.35	193	21	40	92.1	152.4	31.8
T140-2/B	Tolerance	±0.75	±0.1	+0.1 1	+3 1	+0.06 1	1 -0.06	±0.1	±0.1	+3 1			±0.2	±0.2	±0.2
	Dimension	102	101	28.6	50.8	6.4	6.37	7.14	6.35	193	21	40	92.1	152.4	31.8
T140-3/B	Tolerance	±0.75	±0.1	+0.1 2	+3 2	+0.06 2	2 -0.06	±0.1	±0.1	+3 2			±0.2	±0.2	±0.2
	Dimension	127	126	31.75	57.2	6.4	6.37	7.14	6.35	193	21	40	92.1	152.4	31.8

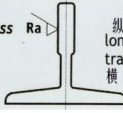


Technical Characteristics for Machined Guide Rails/ 机加工导轨技术参数

Designation	S	q_1	e	I_{xx}	W_{xx}	i_{xx}	I_{yy}	W_{yy}	i_{yy}
	cm ²	kg/m	cm	cm ⁴	cm ³	cm	cm ⁴	cm ³	cm
T70-1/B	9.51	7.47	2.04	41.3	9.24	2.09	18.65	5.35	1.4
T75-3/B	10.99	8.63	1.86	40.35	9.29	1.92	26.49	7.06	1.55
T78/B	9.84	7.72	1.65	29.9	7.56	1.47	26.1	6.71	1.63
T82/B	10.90	8.55	1.98	49.60	10.30	2.13	30.7	7.4	1.67
T89/B	15.7	12.3	2.02	59.52	14.25	1.95	52.4	11.8	1.83
T90/B	17.3	13.55	2.61	102	20.87	2.43	53	11.8	1.75
T114/B	20.8	16.31	2.87	179	29.7	2.93	108	19.1	2.28
T125/B	22.83	17.9	2.43	151.0	26.2	2.57	159	25.4	2.64
T127-1/B	22.64	17.77	2.75	186.2	30.4	2.87	148	23.4	2.56
T127-2/B	28.63	22.48	2.47	198.4	30.9	2.63	230	36.2	2.83
T140-1/B	35.5	27.9	3.23	404	53.4	3.37	310	44.3	2.95
T140-2/B	43.44	34.1	3.47	457	68	3.24	358	51.2	2.87
T140-3/B	58.57	46	4.38	953	114.6	4.03	486	69.4	2.88

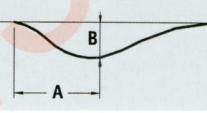
Other Key Control Parameters/其它关键控制参数

导向面光洁度
Blade roughness



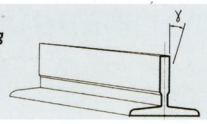
纵向 longitudinal $R_s \leq 1,6\mu$
transversal $1,6 \leq R_s \leq 3,2\mu$
横向

直线度
Straightness



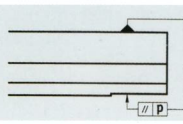
$B/A = 0,001$
 $B_{max} (5 m) = 1,5 mm$
 $B_{min} = 0,3 mm$

扭曲度
Twisting



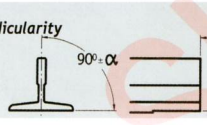
$\gamma = 30' / m$

平行度
Parallelism



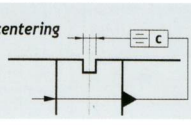
$p = 0,1 mm$

垂直度
Perpendicularity



$90^\circ \pm \alpha$ $90^\circ \pm \beta$
 $\alpha = 5'$
 $\beta = 15'$

对称度
Tongue and groove centering



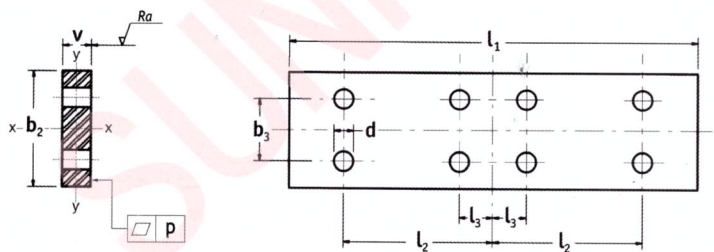
$c = 0,1 mm$

Standard Fishplates/标准连接板

Sunrise	d	b_2	b_3	l_1	l_2	l_3	V	W_{xx}	W_{yy}	Weight	Bolt Size
Code	mm	mm	mm	mm	mm	mm	mm	cm ³	cm ³	kg/pc	
Tolerances		±1.5	±0.2	±1.5	±0.2	±0.2	0/+2				
T45/A	9	50	25	160	65	15	8	0.53	3.33	0.50	M 8X25
T50/A	9	50	30	200	75	25	8	0.53	3.33	0.60	M 8X25
T70-1/B	13	70	42	250	105	25	10	1.17	8.17	1.29	M 12X35
T75-3/B	13	75	43	240	90	30	10	1.25	9.38	1.33	M 12X35
T78/B	13	75	43	240	90	30	10	1.25	9.38	1.33	M 12X35
T82/B	13	80	50.8	216	81	27	10	1.33	10.67	1.27	M 12X35
T89/B	13	90	57.2	305	114.3	38.1	13	2.54	17.55	2.70	M 12X35
T90/B	13	90	57.2	305	114.3	38.1	13	2.54	17.55	2.70	M 12X35
T114/B	17	130	79.4	305	114.3	38.1	17	6.26	47.88	5.00	M 16X50
T125/B	17	130	79.4	305	114.3	38.1	17	6.26	47.88	5.00	M 16X50
T127-1/B	17	130	79.4	305	114.3	38.1	17	6.26	47.88	5.00	M 16X50
T127-2/B	17	130	79.4	305	114.3	38.1	17	6.26	47.88	5.00	M 16X50
T140-1/B	21	140	92.1	380	152.4	31.8	25	14.58	81.67	11.00	M 20X65
T140-2/B	21	140	92.1	380	152.4	31.8	25	14.58	81.67	11.00	M 20X65
T140-3/B	21	140	92.1	380	152.4	31.8	30	21.00	98.00	13.20	M 20X80

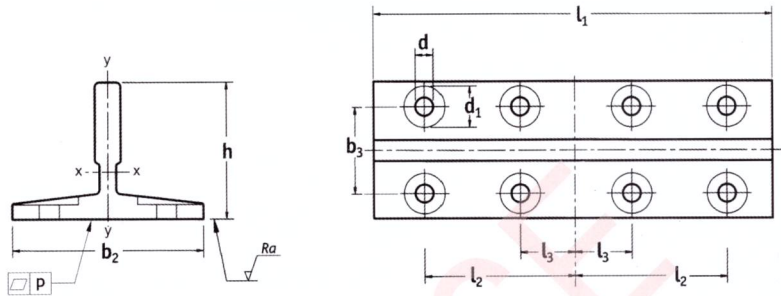
Special Thickness Fishplates / 特殊厚度连接板

Sunrise	d	b_2	b_3	l_1	l_2	l_3	V	W_{xx}	W_{yy}	Weight	Bolt Size
Code	mm	mm	mm	mm	mm	mm	mm	cm ³	cm ³	kg/pc	
Tolerances		±1.5	±0.2	±1.5	±0.2	±0.2	0/+2				
T75-3/B	13	75	43	240	90	30	12	1.80	11.25	1.60	M 12X35
T78/B	13	75	43	240	90	30	12	1.80	11.25	1.60	M 12X35
T82/B	13	80	50.8	216	81	27	20	5.33	21.33	2.55	M 12X45
T89/B	13	90	57.2	305	114.3	38.1	20	6.00	27.00	4.14	M 12X45
T90/B							30	13.50	40.50	6.21	M 12X55
T114/B							30	19.50	84.50	8.91	M 16X60
T125/B	17	130	79.4	305	114.3	38.1	35	26.54	98.58	10.40	M 16X65
T127-1/B							40	34.67	112.67	11.88	M 16X70
T127-2/B							50	54.17	140.83	14.85	M 16X80
T140-1/B							40	37.33	130.67	15.84	M 20X85
T140-2/B	21	140	92.1	380	152.4	31.8	50	58.33	163.33	19.79	M 20X95
T140-3/B							75	131.25	245.00	29.69	M 20X120



T Section Fishplates/T 型连接板

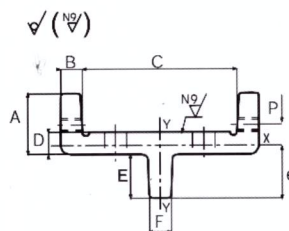
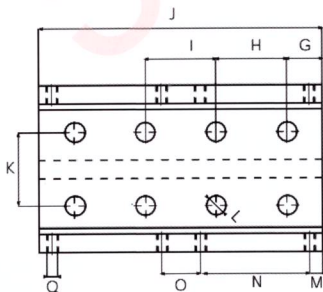
Sunrise	d	d_1	b_2	b_3	l_1	l_2	l_3	h	W_{xx}	W_{yy}	Weight	Bolt Size
Code	mm	mm	mm	mm	mm	mm	mm	mm	cm ³	cm ³	kg/pc	
Tolerances			± 1.5	± 0.2	± 1.5	± 0.2	± 0.2	± 0.1				
T75-3/B	13	26	75	43	240	90	30	61	9.29	7.06	2.10	M 12X35
T78/B	13	28	78	43	240	90	30	55	7.56	6.71	1.80	M 12X35
T82/B	13	26	82.5	50.8	216	81	27	66.6	10.2	7.40	1.36	M 12X35
T89/B	13	26	89	57.2	305	114.3	38.1	61	14.25	11.80	3.80	M 12X35
T90/B	13	26	90	57.2	305	114.3	38.1	74	20.87	11.80	4.10	M 12X35
T114/B	17	33	114	79.4	305	114.3	38.1	88	29.70	19.10	5.00	M 16X50
T125/B	17	33	125	79.4	305	114.3	38.1	81	26.20	25.40	5.50	M 16X50
T127-1/B	17	33	127	79.4	305	114.3	38.1	88	30.40	23.40	5.40	M 16X50
T127-2/B	17	33	127	79.4	305	114.3	38.1	88	30.90	36.20	6.90	M 16X50
T140-1/B	21	40	140	92.1	380	152.4	31.8	107	53.40	44.30	10.50	M 20X65
T140-2/B	21	40	140	92.1	380	152.4	31.8	101	68.00	51.20	12.90	M 20X65
T140-3/B	21	40	140	92.1	380	152.4	31.8	126	114.60	69.40	17.50	M 20X80



Star Fishplates/星型连接板

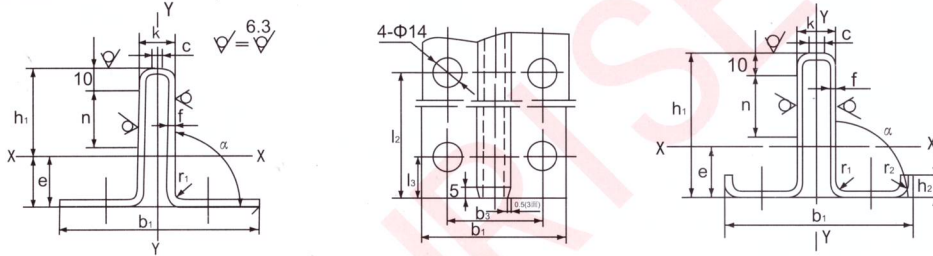
mm

Profile	A	B	C	D	E	F	G	H ± 0.2	I ± 0.2	J	K ± 0.2	L	M	N	O	P ± 0.2	Q	e
T127-2/B	50	20	140	20	35	20	38.2	76.2	76.2	305	79.4	17	14	117.5	42	7	M12	47
T140-1/B	60	20	160	20	40	20	31.6	120.6	63.6	368	92.1	21	14	149	42	7	M12	53



Technical Characteristics for Hollow Guided Rails/技术参数

型号	S	q	e	I_{xx}	W_{xx}	i_{xx}	I_{yy}	W_{yy}	i_{yy}
	cm ²	kg/m	cm	cm ⁴	cm ³	cm	cm ⁴	cm ³	cm
TK3	3.81	2.99	2.17	19.76	5.16	2.21	12.20	2.80	1.73
TK5	5.86	4.60	2.15	26.90	6.99	2.08	18.61	4.28	1.73
TK8	10.17	7.98	2.98	32.58	6.49	1.74	40.15	8.03	1.93
TK3A	4.36	3.40	2.18	18.09	4.47	2.04	13.62	3.49	1.77
TK5A	6.17	4.85	2.14	24.33	6.30	1.99	18.78	4.82	1.74



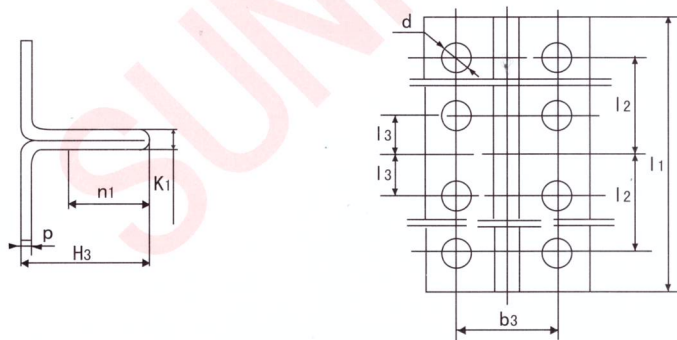
Dimension and Tolerances / 尺寸与公差

型号	b_1	c	f	h_1	k	n	r_1	α	l	l_2	l_3	d	b_3
		± 1.00	$+0.20$ -0.15		0 -0.5	± 0.4			$+60'$ $+20'$	± 3	± 0.3	± 0.3	
TK3	87	≥ 1.8	2	60	16.4	25	3	90°	5000	180	20	14	50
TK5	87	≥ 1.8	3	60	16.4	25	3	90°	5000	180	20	14	50

型号	b_1	h_2	f	h_1	k	n	r_1	a	l	l_2	l_3	d	b_3
		± 1.00	± 1.00		± 0.3	± 0.2			$\pm 30'$	± 3	± 0.3	± 0.3	
TK3A	78	10	2	60	16.4		3	90°	5000	75	25	11.5	45
TK5A	78	10	3	60	16.4		3	90°	5000	75	25	11.5	45

Fishplate for Hollow Guide rails/空心导轨连接板

型号	b_1	h_3	p	k_1	l_1	l_2	l_3	d	b_3
		± 1	± 1		± 0.2	± 1.5	± 0.5	± 0.5	
LK3	87	50	4	12	400	180	20	14	50
LK5	87	59	4.5	10	400	180	20	14	50
Lk3A	78	50	4	12	200	75	25	11.5	45
Lk5A	78	59	4	10	200	75	25	11.5	45

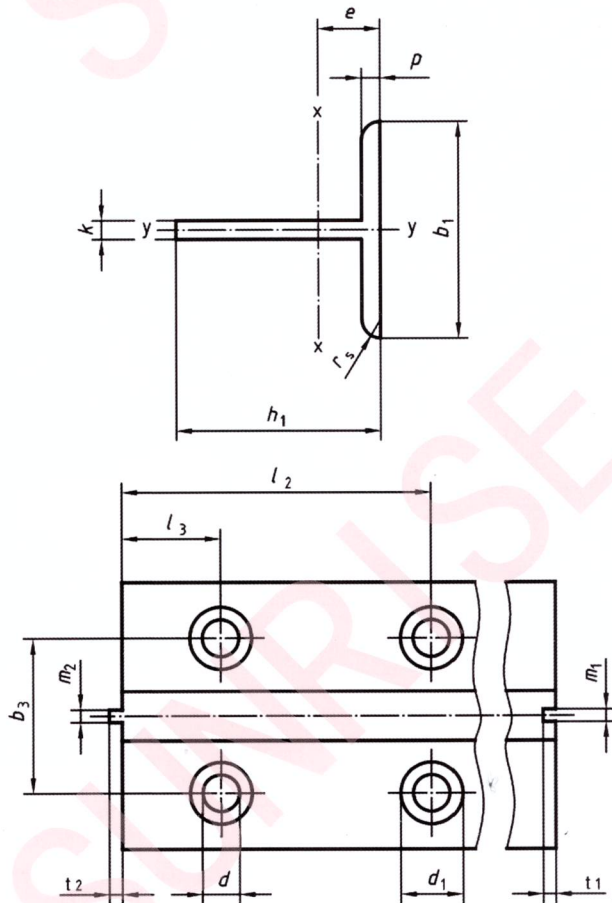


Technical Characteristics for of gulde rails/ 技术参数

Profile	S	q_1	e	I_{xx}	W_{xx}	i_{xx}	I_{yy}	W_{yy}	i_{yy}
	cm ²	kg/m	cm	cm ⁴	cm ³	cm	cm ⁴	cm ³	cm
45/A	4.25	3.34	1.31	8.08	2.53	1.38	3.84	1.71	0.95
50/A	4.75	3.73	1.43	11.24	3.15	1.54	5.25	2.1	1.05

Dimensions and tolerances of guide rails/ 尺寸与公差

Profile	Item	h_1 [mm]	k [mm]	m_1 [mm]	m_2 [mm]	t_1 [mm]	t_2 [mm]	d [mm]	b_3 [mm]	l_2 [mm]	l_3 [mm]
T45/A	Tolerance	±0.2	±0.15	±0.06 0	±0.06 0	±0.1	±0.1		±0.3	±0.2	±0.2
	Dimension	45	5	2	1.95	2.5	2	9	25	65	15
T50/A	Tolerance	±0.2	±0.15	±0.06 0	±0.06 0	±0.1	±0.1		±0.3	±0.2	±0.2
	Dimension	50	5	2	1.95	2.5	2	9	30	75	25



Brackets/支架

1	Standard Bracket & Special Bracket/标准和非标支架
3	Component for Clip/压板组件
4	Component for SH Clip/SH压板组件
5	Guide Rail/导轨
6	Sh Clip/SH夹板

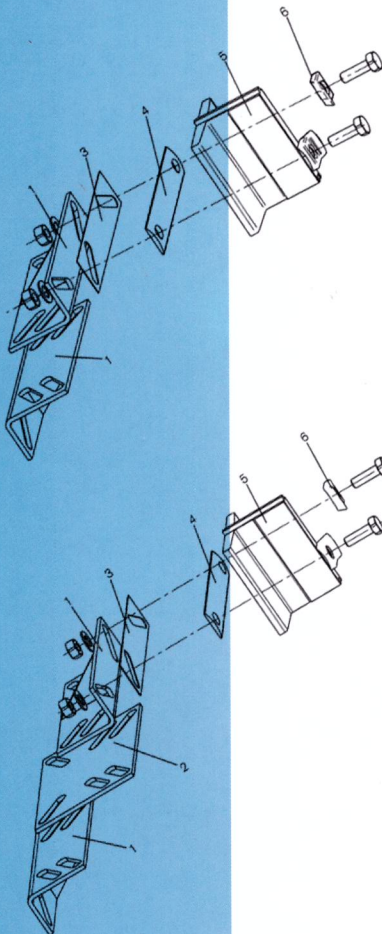
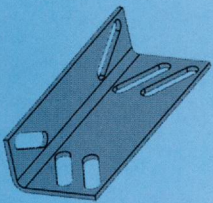
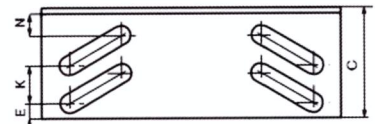
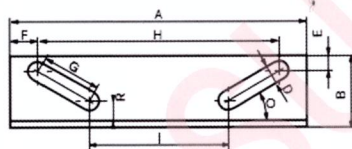
Brackets with Extension/扩展支架

1	Standard Bracket & Special Bracket/标准和非标支架
2	Extension for Bracket/扩展支架
3	Component for Clip/压板组件
4	Component for SH Clip/SH压板组件
5	Guide Rail/导轨
6	SH Clip/SHa夹板

Guide rails	Brackets&Components
T45/A T50/A	B1, BR1, BL1, BP1
T70 T75 T78 T82 T89 T90	B2, BR2, BL2, BP2
T114 T125 T127 T140-1/B T140-2/B	B3, BR3, BL3, BP3

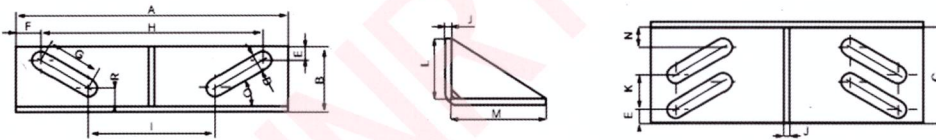
Standard Brackets/标准型支架

	A±1	B±1	C±1	D	E	F	G	H	I±1	J	K	R	N	O
B1	130	50	75	11	12	22.5	27	85	47	4	28	15	12	45°
B2	200	62	95	15	13.5	22.5	45	155	77	5	34	21	20	30°
B3	270	65	100	19	13.5	25	54	220	126	6	34	18	19	30°



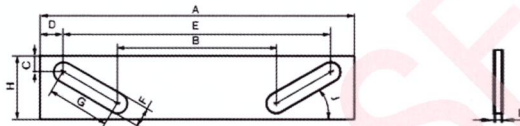
Reinforced Brackets/加强型支架

	A±1	B±1	C±1	D	E	F	G	H	I±1	J	K	R	N	O
BR1	130	50	75	11	12	23	27	85	47	4	28	15	12	45°
BR2	200	62	95	15	14	23	45	155	77	5	34	21	20	30°
BR3	270	65	100	19	14	25	54	220	126	6	34	18	19	30°



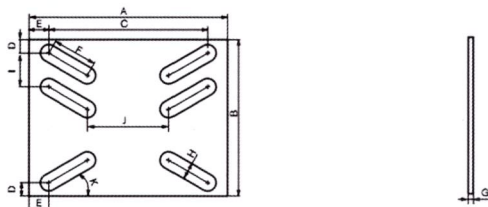
Component for Clip/夹板组件

	A±1	B±1	C	D	E	F	G	H±1	I	J
BR1	130	47	12	22.5	85	11	27	43	1	45°
BR2	200	77	14	22.5	155	15	45	50	1	30°
BR3	270	126	14	25	220	19	54	55	1	30°



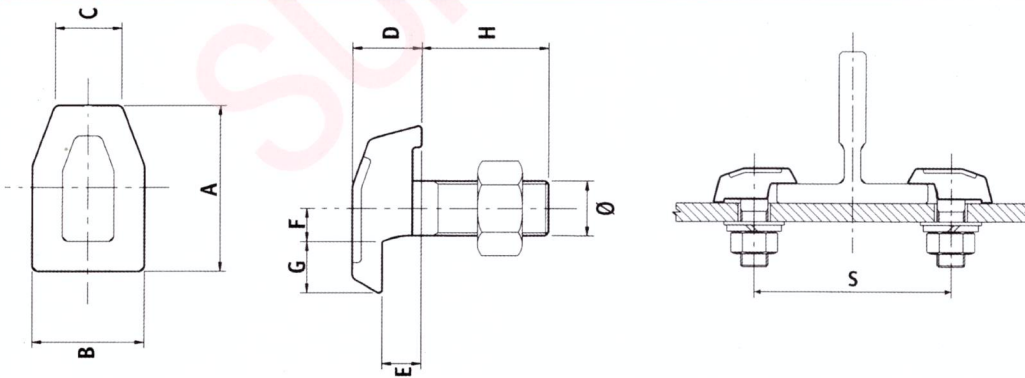
Extension for Brackets/扩展支架

	A±1	B±1	C	D	E	F	G	H	I	J±1	K
BL1	130	125	85	12	22.5	27	4	11	28	47	45°
BL2	200	157	155	13.5	22.5	45	5	15	34	77	30°
BL3	270	165	220	13.5	25	54	6	19	34	126	30°



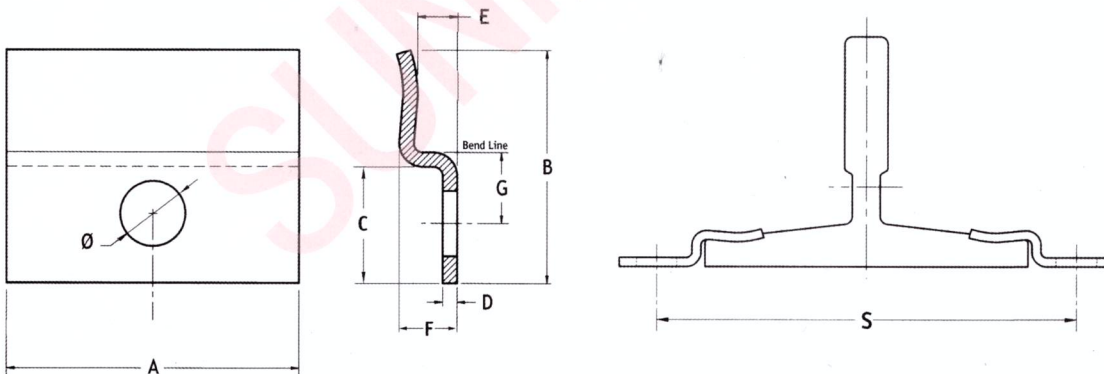
Forged Clips-Type H/H 型锻造夹板

Sunrise Code	Applicable Rail Size	Φ	A	B	C	D	E	F	G	H
			±1.3	±1.3		±1	±1	±0.5	±1	±1.3
H ₁	T45	M10	32	22	15	12	5.5	5	11	23
	T50									
H ₂	T70	M12	39	26	16	15	7.3	6.6	13	27
	T75									
	T82									
H ₃	T78	M14	45	29	16	18.5	9.5	8	13	34
	T89									
	T90									
H ₄	T114	M16	50	34	16	20.5	10.5	8.5	15	40
	T125									
	T127-1									
	T127-2									
H ₅	T140-1	M18	55	37	18	23	13	11	17	42
	T140-2									



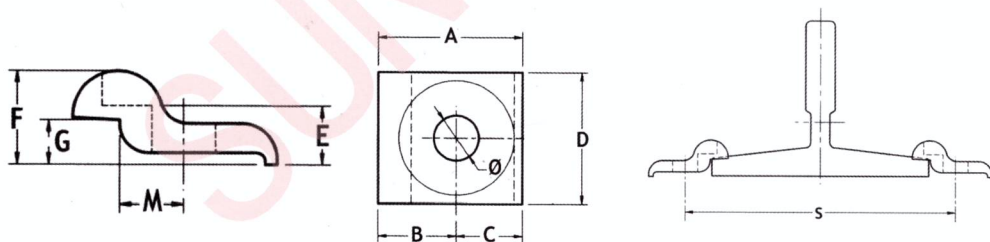
Sliding Clips-Type S/S 型滑动夹板

Sunrise Code	Applicable Rail Size	Φ	A	B	C	D	E	F	G	Boit Size
		±0.5	±0.5	±0.5	±0.5	±0.1	±0.5	±0.5	±0.5	
S ₁	T89	15	76	70	31	5	9	14.5	18.5	M12x35
	T90									
	T114									
	T125									
	T127-1									
S ₂	T127-2	17.5	76	70	33	5	14.5	20.5	19	M16x50



Forged Clips-Type F/F 型锻造夹板

Sunrise Code	Applicable Rail Size	A mm	B mm	C mm	D mm	E mm	F mm	G mm	M mm	Φ mm	Boit Size
Tolerances		±1.5	±1.5	±1.5	±1.5	±1.5	±1	±1.5	±1.5	±1	
F ₁	T89&T90	41	22	19	41	10	18	8	12.5	14.5	M12
F ₂	T114	55.5	30	25.5	51	16	25.5	12.5	17.5	17.5	M16
	T125										
	T127-1										
	T127-2										
F ₃	T140-2	70	38	32	65	16	25.5	12.5	24	20.5	M18
F ₄	T140-3	70	38	32	75	19	28.5	19	24	20.5	M18



Combined Sliding Clips /C 型组合夹板

Sunrise Code	Applicable Rail Size	A mm	B mm	C mm	D mm	E mm	F mm	G mm	H mm	T mm	L mm	W mm	Φ mm
Tolerances		±1	±1	±0.5	±1	±0.5	±0.75	±0.5	±0.5	±0.5	±1.5	±0.75	±0.5
C ₁	T50	44	40	29	33	14	20	8	18	7	129	95	17
C ₂	T70	44	40	29	33	14	20	8	18	7	151	117	17
C ₃	T75	44	40	29	33	14	20	8	18	7	156	122	17
C ₄	T78	44	40	29	33	14	20	8	18	7	172	138	17
	T89												
	T90												
C ₅	T125	55	45	35	38	18	25	9	18	10	227	183	21
	T127-1												
	T127-2												
C ₆	T140-1	55	45	35	38	18	25	9	18	10	242	198	21
C ₇	T140-2	55	45	35	38	18	25	9	18	10	250	206	21

